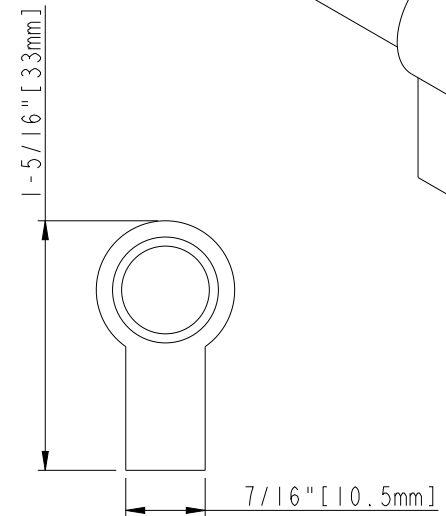
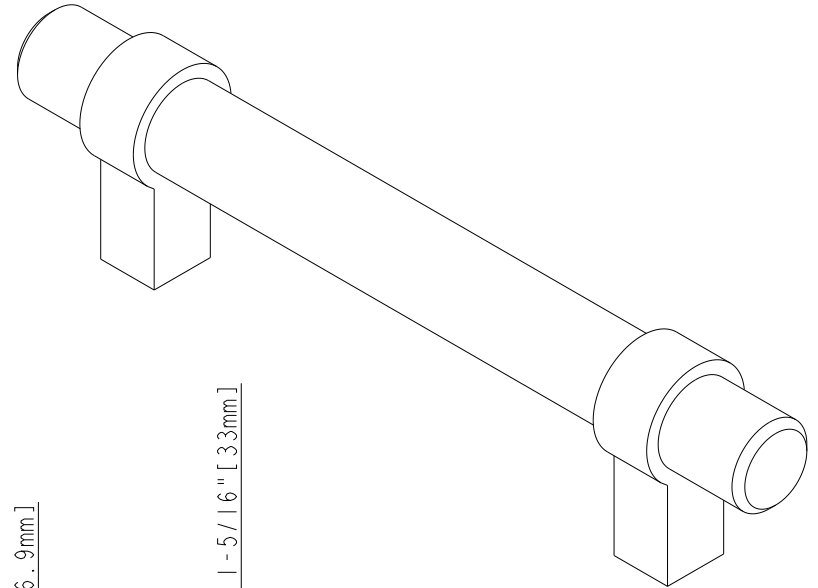
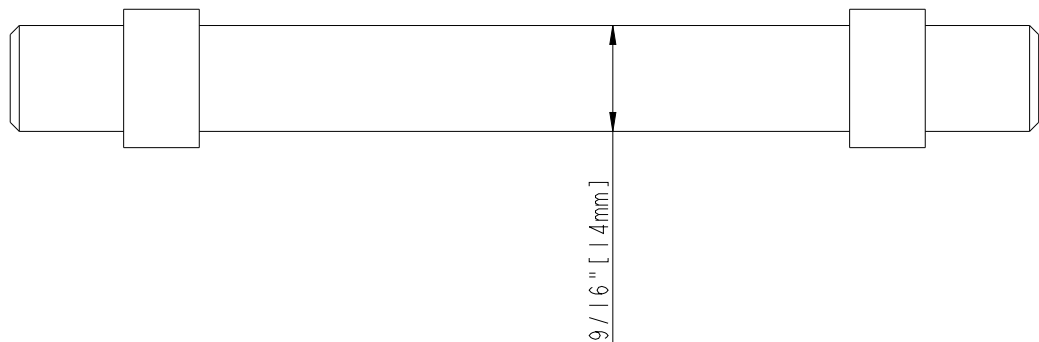
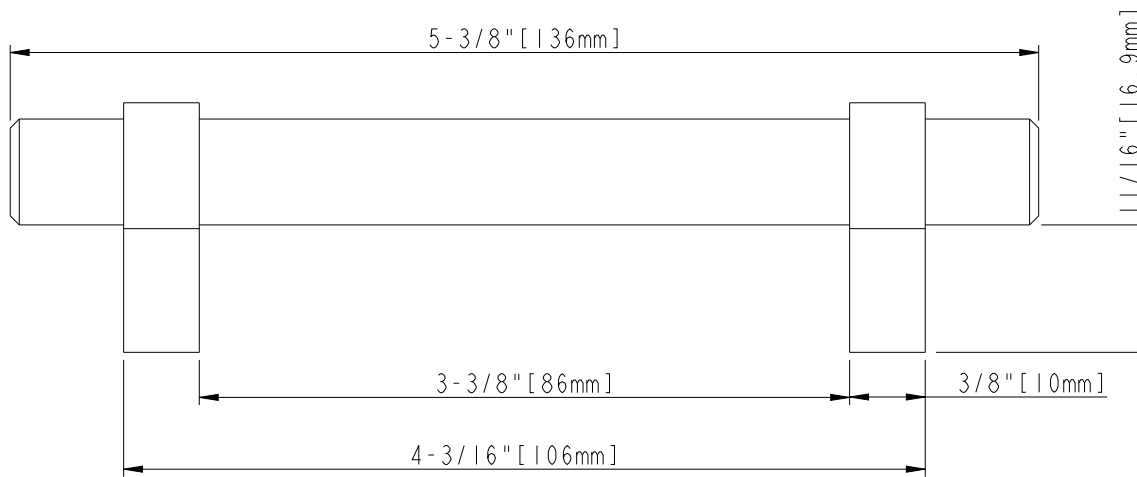


3-3/4" [96mm] CC



ACCESSORY:  
 SCREW: 8-32X1" 2PCS  
 BREAK AWAY SCREW: 8-32x45 2PCS  
 ALL SCREW MATERIAL: STEEL-SAE1006

	ITEM#: 596		MATERIAL: Zamak 3		
	Finish:		WEIGHT: 45.7g/0.100lbs		
PROPRIETARY AND CONFIDENTIAL THE INFORMATION CONTAINED IN THIS DRAWING IS THE SOLE PROPERTY OF HARDWARE RESOURCES INC. ANY REPRODUCTION IN PART OR AS A WHOLE WITHOUT THE WRITTEN PERMISSION OF HARDWARE RESOURCES INC. IS PROHIBITED.	TOLERANCE UNLESS OTHERWISE SPECIFIED: X ±0.20 X.X ±0.10 X.XX ±0.05 ANGULAR: ±0.5°		UNITS:	DRAWN BY: <b>Alexander.W</b>	DATE: Dec-17-20
	DO NOT SCALE DRAWING		SIZE:	APPROVED BY:	DATE:
			SHEET:	RELEASE LEVEL:	REVISION: